

## TERMINAL BLOCK KIT ASSEMBLY FOR JUNCTION BOXES OVERVIEW



Provides a strong, versatile and easily installed means for mounting terminal blocks in Hoffman junction boxes and other enclosures.

These kits can be installed in:

1. Oil-Tight Junction Boxes
2. Fiberglass Type 4X Enclosures
3. Hinged Cover Lift-Off Type 3R Enclosures (16 gauge only)

These kits will NOT fit in Small Wall-Mount Enclosures or HCR Type 3R Enclosures.

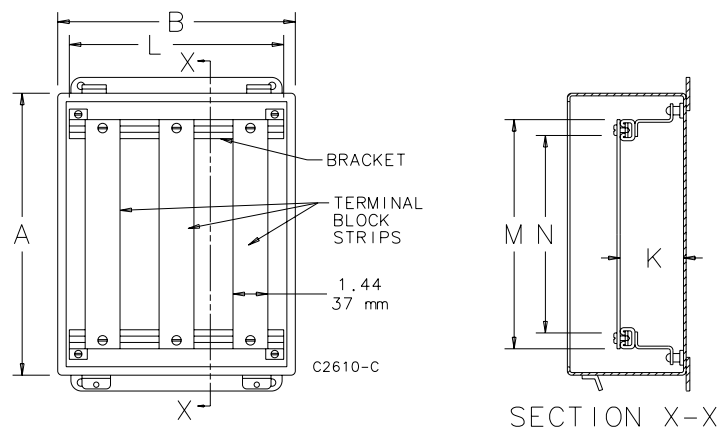
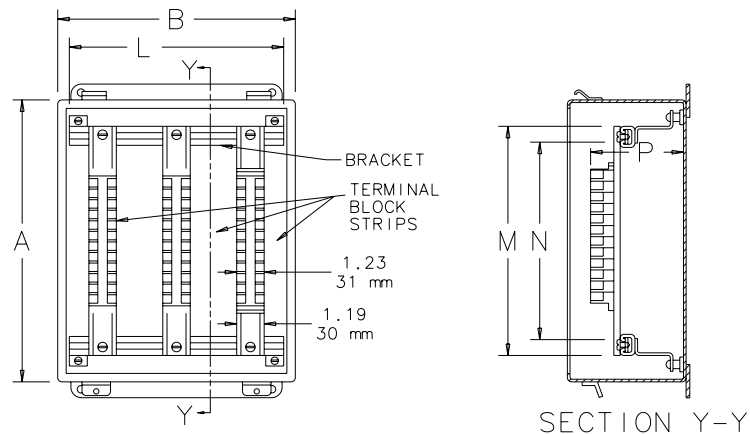
### How To Order

Terminal Kit Assemblies can be installed with the terminal straps or terminal strips parallel to the A dimension or the B dimension of the box. Each box requires one bracket assembly plus the desired number of terminal straps or terminal block strips. The bracket assembly and the terminal straps or terminal block strips must be ordered separately.

1. To select the correct terminal straps or terminal block strips, determine whether they will be mounted parallel to the A dimension or parallel to the B dimension of the box. **Be sure to specify the quantity required.**
2. To select the correct bracket assembly, determine whether the brackets will be mounted parallel to the A dimension or to the B dimension of the box.

Component	Quantity	Comments
Bracket Assembly	1	Mount parallel to A or B dimension
Terminal Straps	As required for installation; specify when ordering	Use straps or strips
Terminal Block Strips	As required for installation; specify when ordering	Use straps or strips

Terminal Block Kit Assembly for Junction Boxes



## TERMINAL BLOCK BRACKET ASSEMBLIES FOR JUNCTION BOXES

Each bracket assembly consists of two brackets which mount on the weldnuts in the box. White finish over pretreated surfaces.

BULLETIN: A80

Catalog Number	Enclosure Dimension Parallel to Brackets	K in./mm	L in./mm
A6JTMA	6	1.44 37	5.00 127
A8JTMA	8	1.44 37	7.00 178
A10JTMA	10	1.44 37	9.00 229
A10JTMAXK	10	2.69 68	9.00 229
A12JTMA	12	2.69 68	11.00 279
A14JTMA	14	2.69 68	13.00 330

## TERMINAL BOX STRAPS FOR JUNCTION BOXES

A terminal strap is a 12 gauge flat strap which mounts on top of the brackets. The straps can be positioned anywhere along the brackets and are held in place with spring locking nuts. White finish over pretreated surfaces. Terminal blocks are not included with terminal straps. Does not work with DIN rail-mounted terminal blocks.

BULLETIN: A80

Catalog Number	Enclosure Dimension Parallel to Straps	K in./mm	M in./mm	Useable Space, N in./mm
A8JS	8	1.44 37	5.75 146	4.62 117
A10JS	10	1.44 37	7.75 197	6.62 168
A12JS	12	1.44 37	9.75 248	8.62 219
A14JS	14	2.69 68	11.70 297	10.62 270
A16JS	16	2.69 68	13.70 348	12.62 321

## TERMINAL BLOCK STRIPS FOR JUNCTION BOXES

A terminal block strip is a flat channel holding Buchanan 600V terminal blocks with tubular clamp contacts assembled on the channel. These terminal blocks will accept wire sizes from #22 through #10. The number of terminal blocks assembled on each channel is shown in the table. The terminal block strips can be positioned anywhere along the brackets and are held in place with spring locking nuts. The channel has a plated finish. Terminal blocks are included with terminal block strips. Marathon terminal blocks can be provided on special order. Other brands and sizes of terminal blocks are available on special order.

BULLETIN: A80

Catalog Number	Enclosure Dimension Parallel to Strips	Terminal Blocks per Strip	M in./mm	Useable Space, N in./mm	P in./mm
A8JBNS	8	8	5.75 146	4.62 117	3.00 76
A10JBNS	10	12	7.75 197	6.62 168	3.00 76
A12JBNS	12	16	9.75 248	8.62 219	3.00 76
A14JBNS	14	20	11.75 298	10.62 270	4.25 108
A16JBNS	16	24	13.75 349	12.62 321	4.25 108

## TERMINAL BLOCK KIT ASSEMBLY FOR TYPE 4, 12 AND 13 ENCLOSURES OVERVIEW



Provide strong, versatile and easily installed terminal block mounting supports. These assemblies fit many single-door Hoffman enclosures. They also fit large Type 1 enclosures and the larger sizes of Hinged Cover Lift-Off Type 3R enclosures as well as most of the Two-Door Wall-Mounted Type 12 enclosures. Kits have white finish over pretreated surfaces. Terminal Block Kit Assemblies can be installed with straps parallel to the A dimension or the B dimension of the enclosure.

### How To Order

Each enclosure requires one bracket assembly plus the desired number of terminal straps. The bracket assembly and the terminal straps must be ordered separately.

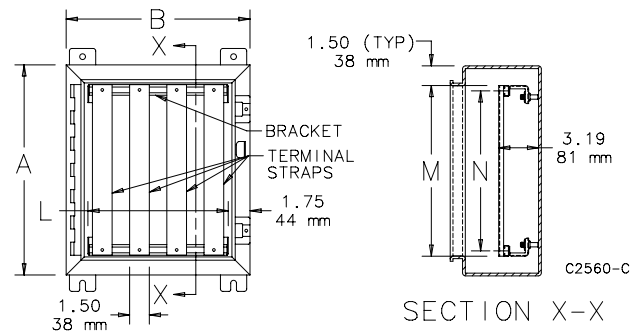
1. To select the correct terminal straps, determine whether the terminal straps will be mounted parallel to the A dimension or the B dimension of the enclosure. **Be sure to specify the quantity required.**
2. To select the correct bracket assembly, determine whether the brackets will be mounted parallel to the A dimension or the B dimension of the enclosure. Refer to the table.

One bracket is required for each row of collar studs parallel to the brackets. As a result, if the enclosure dimension is 24.00 in. (610 mm), 30.00 in. (762 mm) or 36.00 in. (914 mm) and if two brackets are needed to cover all of the collar studs order A\_\_\_NTMA2; if three brackets are needed to cover the studs order A\_\_\_NTMA3.

For example: If you have an A302406LP enclosure and want five terminal straps running vertically, order one A24NTMA2 bracket assembly plus five A30T straps. If you have an A483008LP enclosure and want six terminal straps running vertically, order one A30NTMA3 bracket assembly plus six A48T straps. If you have an A363006LP enclosure and want seven terminal straps running horizontally, order one A36NTMA2 bracket assembly plus seven A30T straps.

**Terminal blocks are not included. Be sure to order one bracket assembly plus the desired number of terminal straps for each enclosure.**

Component	Qty Required	Comments
Bracket Assembly	1	Terminal blocks are not included
Terminal Straps	Depends on installation	Specify quantity when ordering
Terminal Strap Support Kit	One kit per strap	Optional



## BRACKET ASSEMBLY FOR TYPE 4, 12 AND 13 ENCLOSURES

Each bracket assembly consists of two or three brackets which mount on the enclosure collar studs.

BULLETIN: A80

Catalog Number	Number of Brackets	Enclosure Dimension Parallel to Brackets (in.)	Enclosure Dimension Parallel to Brackets (mm)	Bracket Length, L (in.)	Bracket Length, L (mm)
A12NTMA2	2	12.00	305	8.50	216
A16NTMA2	2	16.00	406	12.50	318
A20NTMA2	2	20.00	508	16.50	419
A24NTMA2	2	24.00	610	20.50	521
A24NTMA3	3	24.00	610	20.50	521
A30NTMA2	2	30.00	762	26.50	673
A30NTMA3	3	30.00	762	26.50	673
A36NTMA3	3	36.00	914	32.50	826

## TERMINAL STRAPS FOR TYPE 4, 12 AND 13 ENCLOSURES

The terminal straps can be positioned anywhere along the brackets and are held in place with spring locking nuts. This feature makes wiring easy and simplifies the addition of terminal straps at a later date.

BULLETIN: A80

Catalog Number	Enclosure Dimension Parallel to Straps	M (in.)	M (mm)	Useable Space, N (in.)	Useable Space, N (mm)
A16T	16	13.00	330	11.75	298
A20T	20	17.00	432	15.75	400
A24T	24	21.00	533	19.75	502
A30T	30	27.00	686	25.75	654
A36T	36	33.00	838	31.75	806
A42T	42	39.00	991	37.75	959
A48T	48	45.00	1143	43.75	1111
A60T	60	57.00	1448	55.75	1416

## TERMINAL STRAP SUPPORT KIT



Designed to provide a simple and versatile method of mounting terminal straps. The Z-shaped brackets are 1.50-in. (38-mm)

high with white finish. Brackets can be attached to panels or to enclosure walls. A terminal strap is then installed on the brackets. Terminal straps must be ordered separately. Two brackets are furnished with each kit. Spacing between brackets will depend on the number and size of terminal blocks installed on the terminal strap. We recommend a maximum spacing of 15 in. (381 mm) for an average installation.

BULLETIN: A80

Catalog Number	Description
ATZ	Two Z-shaped brackets

Terminal strap NOT included.