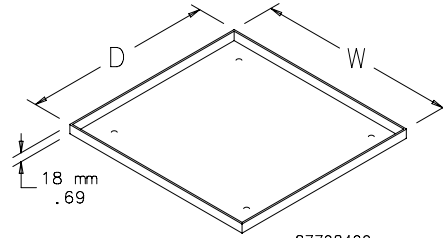


**0-MM SOLID BASE**


The 0-mm bases are finished with RAL 7035 textured light-gray polyester powder paint (except stainless steel). EMC bases are finished with paint over plated surfaces. Bases are made of 16-gauge steel.

**BULLETIN:** P20, P20EM, P20S



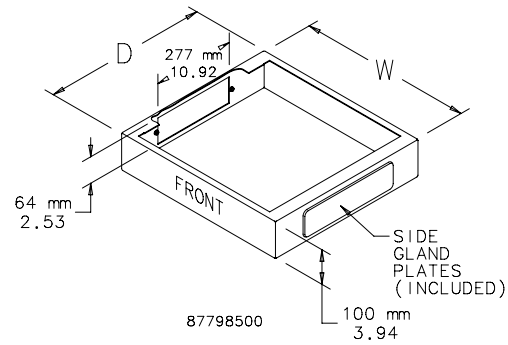
| Catalog Number | Fits Frame B x C | W (mm) | W (in.) | D (mm) | D (in.) |
|----------------|------------------|--------|---------|--------|---------|
| PB045          | 400 x 500        | 353    | 13.90   | 453    | 17.83   |
| PB046          | 400 x 600        | 353    | 13.90   | 592    | 23.31   |
| PB064          | 600 x 400        | 592    | 23.31   | 353    | 13.90   |
| PB064HF2       | 600 x 400        | 592    | 23.31   | 353    | 13.90   |
| PB065HF2       | 600 x 500        | 592    | 23.31   | 453    | 17.83   |
| PB066          | 600 x 600        | 592    | 23.31   | 553    | 21.77   |
| PB066HF2       | 600 x 600        | 592    | 23.31   | 553    | 21.77   |
| PB066SS        | 600 x 600        | 592    | 23.31   | 553    | 21.77   |
| PB068          | 600 x 800        | 592    | 23.31   | 753    | 29.65   |
| PB068HF2       | 600 x 800        | 592    | 23.31   | 753    | 29.65   |
| PB068SS        | 600 x 800        | 592    | 23.31   | 753    | 29.65   |
| PB076          | 700 x 600        | 692    | 27.24   | 553    | 21.77   |
| PB076HF2       | 700 x 600        | 692    | 27.24   | 553    | 21.77   |
| PB078          | 700 x 800        | 692    | 27.24   | 753    | 29.65   |
| PB078HF2       | 700 x 800        | 692    | 27.24   | 753    | 29.65   |
| PB079          | 700 x 900        | 692    | 27.24   | 853    | 33.58   |
| PB079HF2       | 700 x 900        | 692    | 27.24   | 853    | 33.58   |
| PB084          | 800 x 400        | 792    | 31.18   | 353    | 13.90   |
| PB084HF2       | 800 x 400        | 792    | 31.18   | 353    | 13.90   |
| PB085          | 800 x 500        | 792    | 31.18   | 453    | 17.83   |
| PB085HF2       | 800 x 500        | 792    | 31.18   | 453    | 17.83   |
| PB086          | 800 x 600        | 792    | 31.18   | 553    | 21.77   |
| PB086HF2       | 800 x 600        | 792    | 31.18   | 553    | 21.77   |
| PB086SS        | 800 x 600        | 792    | 31.18   | 553    | 21.77   |
| PB088          | 800 x 800        | 792    | 31.18   | 753    | 29.65   |
| PB088HF2       | 800 x 800        | 792    | 31.18   | 753    | 29.65   |
| PB088SS        | 800 x 800        | 792    | 31.18   | 753    | 29.65   |
| PB089HF2       | 800 x 900        | 792    | 31.18   | 853    | 33.58   |
| PB0105         | 1000 x 500       | 992    | 39.06   | 453    | 17.83   |
| PB0105HF2      | 1000 x 500       | 992    | 39.06   | 453    | 17.83   |
| PB0106         | 1000 x 600       | 992    | 39.06   | 553    | 21.77   |
| PB0106HF2      | 1000 x 600       | 992    | 39.06   | 553    | 21.77   |
| PB0106SS       | 1000 x 600       | 992    | 39.06   | 553    | 21.77   |
| PB0108         | 1000 x 800       | 992    | 39.06   | 753    | 29.65   |
| PB0108SS       | 1000 x 800       | 992    | 39.06   | 753    | 29.65   |
| PB0124         | 1200 x 400       | 1192   | 46.93   | 353    | 13.90   |
| PB0125         | 1200 x 500       | 1192   | 46.93   | 453    | 17.83   |
| PB0126         | 1200 x 600       | 1192   | 46.93   | 553    | 21.77   |
| PB0126SS       | 1200 x 600       | 1192   | 46.93   | 553    | 21.77   |
| PB0128         | 1200 x 800       | 1192   | 46.93   | 753    | 29.65   |
| PB0165         | 1600 x 500       | 1592   | 62.68   | 453    | 17.83   |
| PB0166         | 1600 x 600       | 1592   | 62.68   | 553    | 21.77   |
| PB0168         | 1600 x 800       | 1592   | 62.68   | 753    | 29.65   |

### 100-MM SOLID BASE



The 100-mm base is finished with RAL 9005 textured black polyester powder paint (except stainless steel). EMC bases are finished with paint over plated surfaces. Side gland plates and drill points for locating optional casters are included.

BULLETIN: P20, P20EM, P20S



| Catalog Number | Fits Frame B x C | Gauge | W (mm) | W (in.) | D (mm) | D (in.) |
|----------------|------------------|-------|--------|---------|--------|---------|
| PB145          | 400 x 500        | 16    | 353    | 13.90   | 453    | 17.83   |
| PB146          | 400 x 600        | 16    | 353    | 13.90   | 592    | 23.31   |
| PB164          | 600 x 400        | 16    | 599    | 23.58   | 359    | 14.13   |
| PB165          | 600 x 500        | 16    | 599    | 23.58   | 459    | 18.07   |
| PB165HF        | 600 x 500        | 16    | 599    | 23.58   | 459    | 18.07   |
| PB166          | 600 x 600        | 16    | 599    | 23.58   | 559    | 22.01   |
| PB166SS        | 600 x 600        | 16    | 599    | 23.58   | 559    | 22.01   |
| PB168          | 600 x 800        | 16    | 599    | 23.58   | 759    | 29.88   |
| PB168HF        | 600 x 800        | 16    | 599    | 23.58   | 759    | 29.88   |
| PB168SS        | 600 x 800        | 16    | 599    | 23.58   | 759    | 29.88   |
| PB176          | 700 x 600        | 16    | 699    | 27.52   | 559    | 22.01   |
| PB178          | 700 x 800        | 16    | 699    | 27.52   | 759    | 29.88   |
| PB179HF        | 700 x 900        | 14    | 699    | 27.52   | 859    | 33.82   |
| PB184          | 800 x 400        | 16    | 799    | 31.46   | 359    | 14.13   |
| PB184HF        | 800 x 400        | 16    | 799    | 31.46   | 359    | 14.13   |
| PB185          | 800 x 500        | 16    | 799    | 31.46   | 459    | 18.07   |
| PB185HF        | 800 x 500        | 16    | 799    | 31.46   | 459    | 18.07   |
| PB186          | 800 x 600        | 16    | 799    | 31.46   | 559    | 22.01   |
| PB188          | 800 x 800        | 14    | 799    | 31.46   | 759    | 29.88   |
| PB189          | 800 x 900        | 14    | 799    | 31.46   | 859    | 33.82   |
| PB1105         | 1000 x 500       | 16    | 999    | 39.33   | 459    | 18.07   |
| PB1105HF       | 1000 x 500       | 16    | 999    | 39.33   | 459    | 18.07   |
| PB1106         | 1000 x 600       | 16    | 999    | 39.33   | 559    | 22.01   |
| PB1106SS       | 1000 x 600       | 16    | 999    | 39.33   | 559    | 22.01   |
| PB1108         | 1000 x 800       | 14    | 999    | 39.33   | 759    | 29.88   |
| PB1108HF       | 1000 x 800       | 14    | 999    | 39.33   | 759    | 29.88   |
| PB1108SS       | 1000 x 800       | 14    | 999    | 39.33   | 759    | 29.88   |
| PB1124         | 1200 x 400       | 16    | 1199   | 47.20   | 359    | 14.13   |
| PB1125         | 1200 x 500       | 16    | 1199   | 47.20   | 459    | 18.07   |
| PB1126         | 1200 x 600       | 16    | 1199   | 47.20   | 559    | 22.01   |
| PB1126SS       | 1200 x 600       | 16    | 1199   | 47.20   | 559    | 22.01   |
| PB1128         | 1200 x 800       | 14    | 1199   | 47.20   | 759    | 29.88   |
| PB1128SS       | 1200 x 800       | 14    | 1199   | 47.20   | 759    | 29.88   |
| PB1165         | 1600 x 500       | 16    | 1599   | 62.95   | 459    | 18.07   |
| PB1166         | 1600 x 600       | 16    | 1599   | 62.95   | 559    | 22.01   |
| PB1168         | 1600 x 800       | 14    | 1599   | 62.95   | 759    | 29.88   |

### PROLINE™ FRAME FLOOR-MOUNTING BRACKET

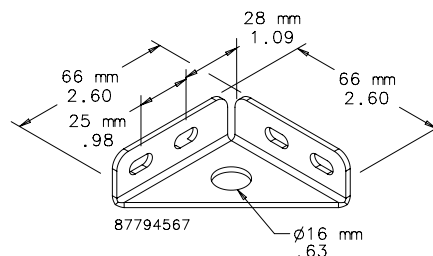


Provides a structural method of bolting a PROLINE™ frame to the floor. Fits all frame sizes. Made of 12 gauge steel with plated finish. Kit includes four brackets and mounting hardware.

*Not for use on colocation frames, which include welded-in floor mounting brackets.*

BULLETIN: DPY

| Catalog Number | Description                          |
|----------------|--------------------------------------|
| PFBK           | PROLINE Frame Floor-Mounting Bracket |

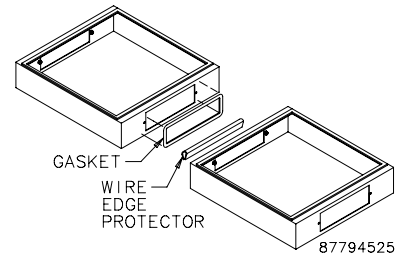


### 100-MM SOLID BASE JOINING, SIDE-TO-SIDE

Joining provides a seal between the gland plate openings on adjacent 100-mm solid base and is used in combination with either of the Side-to-Side Frame Joining Kits. A nylon wire edge protector (see drawing) prevents wear and abrasion of wires and cables.

BULLETIN: P20, P20EM

| Catalog Number | Description  |
|----------------|--|
| PJ2FB          | Solid Base Joining, 100-mm Solid Bases, side-to-side     |
| PJ2FBHF2       | EMC Solid Base Joining, 100-mm Solid Bases, side-to-side |



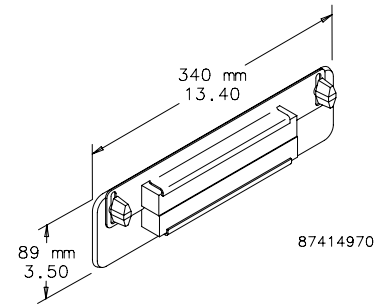
### CABLE ENTRY GLAND PLATE **A-T-O**



Fits all standard PROLINE™ 100-mm Solid Base gland openings. Solid Base gland openings. Can be used in place of standard solid gland plates furnished with 100-mm Solid Base. Adjustable opening for cable entry is foam-lined to maintain a dust-tight seal. Cable Entry Plate is 14 gauge steel and finished with RAL 9005 textured black polyester powder paint.

BULLETIN: P20

| Catalog Number | Description |
|----------------|-------------|
| PCEGP          |             |



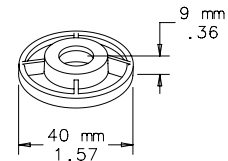
### FRAME FEET **A-T-O**



Four die-cast feet for use on the bottom of PROLINE™ frames that raise the frame 9 mm.

BULLETIN: P20

| Catalog Number | Description |
|----------------|-------------|
| PFFM12         | Frame Feet  |



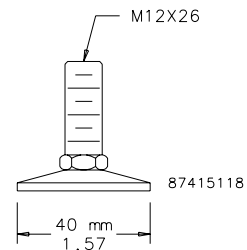
### LEVELERS **A-T-O**



Four post-type levelers allow adjustment for uneven floors. Levelers can be attached to the bottom of a frame or to a 0-mm solid base. Levelers are plated and the leveler base is capped with plastic to provide resistance to marring. Adjustable for 17-mm to 35-mm height. Ball and socket construction. Four levelers will support a maximum of 453.6 kg (1000 lb.).

BULLETIN: P20

| Catalog Number | Description        |
|----------------|--------------------|
| PLM12          | Post-type Levelers |

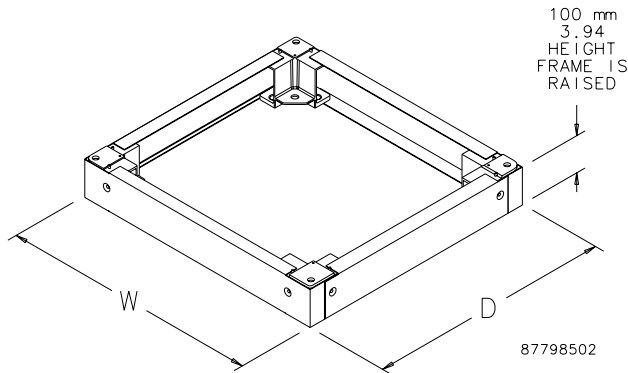


**100-MM PLINTH BASE** **A-T-O**



Plinth Bases install under an enclosure to provide space for cables to enter from below. A Plinth Base consists of four corner supports connected to four access panels. The corner supports are cast aluminum. The access panels are 16 gauge steel and attach to the corner supports with screws. Plinth Bases are finished with RAL 9005 black textured polyester powder paint and include all necessary mounting hardware. *Order a gland plate system to provide Type 12 protection when using a Plinth Base.*

**BULLETIN: P20**



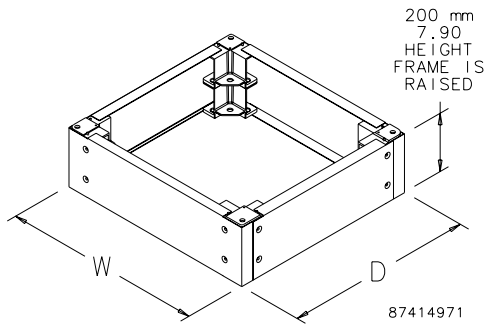
| Catalog Number | Fits Frame B x C | W<br>mm/in.   | D<br>mm/in.  |
|----------------|------------------|---------------|--------------|
| PPB145         | 400 x 500        | 399<br>15.71  | 459<br>18.07 |
| PPB146         | 400 x 600        | 399<br>15.71  | 559<br>22.01 |
| PPB164         | 600 x 400        | 599<br>23.58  | 359<br>14.13 |
| PPB165         | 600 x 500        | 599<br>23.58  | 459<br>18.07 |
| PPB166         | 600 x 600        | 599<br>23.58  | 559<br>22.01 |
| PPB168         | 600 x 800        | 599<br>23.58  | 759<br>29.88 |
| PPB176         | 700 x 600        | 699<br>27.52  | 559<br>22.01 |
| PPB178         | 700 x 800        | 699<br>27.52  | 759<br>29.88 |
| PPB179         | 700 x 900        | 699<br>27.52  | 859<br>33.82 |
| PPB184         | 800 x 400        | 799<br>31.46  | 359<br>14.13 |
| PPB185         | 800 x 500        | 799<br>31.46  | 459<br>18.07 |
| PPB186         | 800 x 600        | 799<br>31.46  | 559<br>22.01 |
| PPB188         | 800 x 800        | 799<br>31.46  | 759<br>29.88 |
| PPB189         | 800 x 900        | 799<br>31.46  | 859<br>33.82 |
| PPB1105        | 1000 x 500       | 999<br>39.33  | 459<br>18.07 |
| PPB1106        | 1000 x 600       | 999<br>39.33  | 559<br>22.01 |
| PPB1108        | 1000 x 800       | 999<br>39.33  | 759<br>29.88 |
| PPB1124        | 1200 x 400       | 1199<br>47.20 | 359<br>14.13 |
| PPB1125        | 1200 x 500       | 1199<br>47.20 | 459<br>18.07 |
| PPB1126        | 1200 x 600       | 1199<br>47.20 | 559<br>22.01 |
| PPB1128        | 1200 x 800       | 1199<br>47.20 | 759<br>29.88 |
| PPB1165        | 1600 x 500       | 1599<br>62.95 | 459<br>18.07 |
| PPB1166        | 1600 x 600       | 1599<br>62.95 | 559<br>22.01 |
| PPB1168        | 1600 x 800       | 1599<br>62.95 | 759<br>29.88 |

200-MM PLINTH BASE



Plinth Bases install under an enclosure to provide space for cables to enter from below. A Plinth Base consists of eight corner supports connected to four access panels. The corner supports are cast aluminum. The access panels are 16 gauge steel and attach to the corner supports with screws. Plinth Bases have are finished with RAL 9005 black textured polyester powder paint and include all necessary mounting hardware.  
*Order a gland plate system to provide Type 12 protection when using a plinth base.*

**BULLETIN: P20**

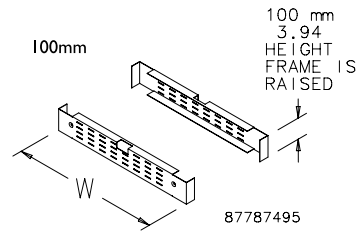


| Catalog Number | Fits Frame B x C | W mm/in.      | D mm/in.     |
|----------------|------------------|---------------|--------------|
| PPB245         | 400 x 500        | 399<br>15.71  | 459<br>18.07 |
| PPB266         | 600 x 600        | 599<br>23.58  | 559<br>22.01 |
| PPB268         | 600 x 800        | 599<br>23.58  | 759<br>29.88 |
| PPB276         | 700 x 600        | 699<br>27.52  | 559<br>22.01 |
| PPB284         | 800 x 400        | 799<br>31.46  | 359<br>14.13 |
| PPB285         | 800 x 500        | 799<br>31.46  | 459<br>18.07 |
| PPB286         | 800 x 600        | 799<br>31.46  | 559<br>22.01 |
| PPB288         | 800 x 800        | 799<br>31.46  | 759<br>29.88 |
| PPB289         | 800 x 900        | 799<br>31.46  | 859<br>33.82 |
| PPB2105        | 1000 x 500       | 999<br>39.33  | 459<br>18.07 |
| PPB2106        | 1000 x 600       | 999<br>39.33  | 559<br>22.01 |
| PPB2108        | 1000 x 800       | 999<br>39.33  | 759<br>29.88 |
| PPB2124        | 1200 x 400       | 1199<br>47.20 | 359<br>14.13 |
| PPB2125        | 1200 x 500       | 1199<br>47.20 | 459<br>18.07 |
| PPB2126        | 1200 x 600       | 1199<br>47.20 | 559<br>22.01 |
| PPB2128        | 1200 x 800       | 1199<br>47.20 | 759<br>29.88 |
| PPB2165        | 1600 x 500       | 1599<br>62.95 | 459<br>18.07 |
| PPB2166        | 1600 x 600       | 1599<br>62.95 | 559<br>22.01 |
| PPB2168        | 1600 x 800       | 1599<br>62.95 | 759<br>29.88 |

**VENTED PLINTH BASE COVERS**



Vented Plinth Base Covers



Vented Plinth Base Covers install in the front and rear openings of a standard plinth base in place of Solid Covers. Vented covers allow air to circulate into the enclosure. Vented Plinth Base Covers are available in 100-mm and 200-mm heights. These covers are finished with RAL 9005 black polyester powder paint and include all necessary mounting hardware.

*A standard plinth base must be ordered in combination with Vented Plinth Base covers to form a Vented Plinth Base. If using a gland plate with the Vented Plinth Base, order a vented gland plate to provide air circulation through the bottom of the enclosure.*

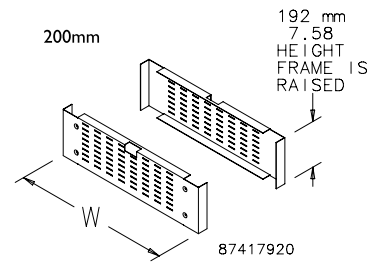
**BULLETIN: P20**

**100-mm Vented Plinth Base Covers**

| Catalog Number | Fits Frame Type | Fits Frame (B dimension) | W mm/in.      |
|----------------|-----------------|--------------------------|---------------|
| PPBCV1600      | Single-Bay      | 600                      | 599<br>23.58  |
| PPBCV1700      | Single-Bay      | 700                      | 699<br>27.52  |
| PPBCV1800      | Single-Bay      | 800                      | 799<br>31.46  |
| PPBCV11000     | Single-Bay      | 1000                     | 999<br>39.33  |
| PPBCV11200     | Double-Bay      | 1200                     | 1199<br>47.20 |
| PPBCV11600     | Double-Bay      | 1600                     | 1599<br>62.95 |

**200-mm Vented Plinth Base Covers**

| Catalog Number | Fits Frame Type | Fits Frame (B dimension) | W mm/in.      |
|----------------|-----------------|--------------------------|---------------|
| PPBCV2600      | Single-Bay      | 600                      | 599<br>23.58  |
| PPBCV2700      | Single-Bay      | 700                      | 699<br>27.52  |
| PPBCV2800      | Single-Bay      | 800                      | 799<br>31.46  |
| PPBCV21000     | Single-Bay      | 1000                     | 999<br>39.33  |
| PPBCV21600     | Double-Bay      | 1600                     | 1599<br>62.95 |



**PLINTH BASE STACKING KIT**



Plinth bases are stackable with a maximum recommendation of 400-mm high. Kit consists of eight bolts and nuts and eight each of two types of washers used to join plinth bases.

**BULLETIN: P20**

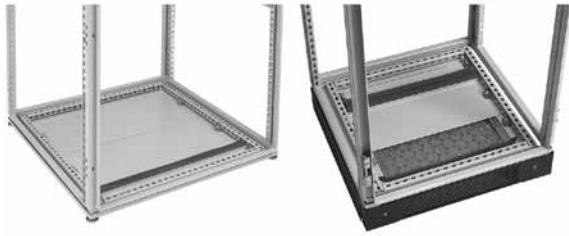
| Catalog Number | Description              |
|----------------|--------------------------|
| PPBSK          | Plinth Base Stacking Kit |

**REPLACEMENT FILTER KIT FOR FILTERED GLAND PLATE**

Kit includes 12 disposable two-ply polyester replacement filters for filtered gland plates. Two filters are required for double-bay frames.

**BULLETIN: P20**

| Catalog Number | Filter Size mm/in.        | Fits Frame B x C  |
|----------------|---------------------------|---|
| PFK4012        | 406 x 127<br>16.00 x 5.00 | 600 x 400   |
| PFK6020        | 609 x 203<br>24.00 x 8.00 | 800 x 500, 800 x 600, 800 x 800, 800 x 900,<br>1600 x 500, 1600 x 600, 1600 x 800 |
| PFK8120        | 813 x 203<br>32.00 x 8.00 | 1000 x 500, 1000 x 600, 1000 x 800  |

**GLAND PLATES** **A-T-O**


Adjustable Gland Plates are used to seal the bottom of the PROLINE™ frame. Solid, vented and shielded Gland Plates are available. Solid and filtered gland plates include covers that are gasketed to maintain Type 12 enclosure requirements. Gland plates are 16 gauge steel and are finished with RAL 7035 textured light-gray polyester powder paint. EMC Gland Plates are finished with paint over plated surfaces. All installation hardware is included.

*Solid Gland Plate and EMC Gland Plate are accessories to 100-mm Solid Base, 100-mm/200-mm Plinth Base, Mobile Base and Transportation Base. These gland plates can be used without a base if casters, levelers or frame feet are installed. EMC Gland Plate maintains a Type 1 rating.*

**Solid Gland Plate**

The Solid Gland Plate can be used with all PROLINE subpanels or rack angles. The gland plate consists of a base mounting surface and two adjustable foam-gasketed plates that permit cable entry. The plate can be rotated 180 degrees for front or rear cable entry.

**Filtered (Vented) Gland Plate**

Filtered Gland Plate is used only in conjunction with Vented Plinth Base Covers. The plate can be used with all PROLINE subpanels or rack angles. It consists of a mounting base, three adjustable plates for cable entry, a filter and filter retaining rails. Manufactured from 16 gauge steel and finished with RAL 7035 textured light-gray polyester powder paint. Replacement filters available.

**EMC Gland Plate**

This gland plate can be used with subpanels or rack angles. Gland plate consists of a base mounting surface and two adjustable gland plates (both have a conductive coating) with conductive fabric-over-foam gasket for cable entry.

**BULLETIN: P20**

**Gland Plates for Single-Bay Frames**

| Catalog Number | Type     | Fits Frame Size, Width | Fits Frame Size, Depth |
|----------------|----------|------------------------|------------------------|
| PGP64          | Solid    | 600                    | 400                    |
| PGP64AHF       | EMC      | 600                    | 400                    |
| PGPV64         | Filtered | 600                    | 400                    |
| PGP65          | Solid    | 600                    | 500                    |
| PGP65AHF       | EMC      | 600                    | 500                    |
| PGPV65         | Filtered | 600                    | 500                    |
| PGP66          | Solid    | 600                    | 600                    |
| PGP66AHF       | EMC      | 600                    | 600                    |
| PGPV66         | Filtered | 600                    | 600                    |
| PGP68          | Solid    | 600                    | 800                    |
| PGP68AHF       | EMC      | 600                    | 800                    |
| PGPV68         | Filtered | 600                    | 800                    |
| PGPV76         | Filtered | 700                    | 600                    |
| PGP78          | Solid    | 700                    | 800                    |
| PGP78AHF       | EMC      | 700                    | 800                    |
| PGPV78         | Filtered | 700                    | 800                    |
| PGP79          | Solid    | 700                    | 900                    |
| PGP79AHF       | EMC      | 700                    | 900                    |
| PGP84          | Solid    | 800                    | 400                    |
| PGP85          | Solid    | 800                    | 500                    |
| PGPV85         | Filtered | 800                    | 500                    |
| PGP86          | Solid    | 800                    | 600                    |
| PGPV86         | Filtered | 800                    | 600                    |
| PGP88          | Solid    | 800                    | 800                    |
| PGP88AHF       | EMC      | 800                    | 800                    |
| PGPV88         | Filtered | 800                    | 800                    |
| PGP89          | Solid    | 800                    | 900                    |
| PGP89AHF       | EMC      | 800                    | 900                    |
| PGPV89         | Filtered | 800                    | 900                    |
| PGP105         | Solid    | 1000                   | 500                    |
| PGP105AHF      | EMC      | 1000                   | 500                    |
| PGP106         | Solid    | 1000                   | 600                    |
| PGPV106        | Filtered | 1000                   | 600                    |
| PGP108         | Solid    | 1000                   | 800                    |
| PGP108AHF      | EMC      | 1000                   | 800                    |
| PGPV108        | Filtered | 1000                   | 800                    |

### Gland Plates for Double-Bay Frames

| Catalog Number | Type     | Fits Frame Size, Width | Fits Frame Size, Depth |
|----------------|----------|------------------------|------------------------|
| PGP124         | Solid    | 1200                   | 400                    |
| PGP125         | Solid    | 1200                   | 500                    |
| PGPV125        | Filtered | 1200                   | 500                    |
| PGP126         | Solid    | 1200                   | 600                    |
| PGPV126        | Filtered | 1200                   | 600                    |
| PGP128         | Solid    | 1200                   | 800                    |
| PGPV128        | Filtered | 1200                   | 800                    |
| PGP165         | Solid    | 1600                   | 500                    |
| PGPV165        | Filtered | 1600                   | 500                    |
| PGP166         | Solid    | 1600                   | 600                    |
| PGPV166        | Filtered | 1600                   | 600                    |
| PGP168         | Solid    | 1600                   | 800                    |
| PGP186         | Solid    | 1800                   | 600                    |

### MOBILE BASE



Mobile Bases fit 600- and 800-mm wide frames. They extend beyond the front and rear of 600-mm cabinets to provide enhanced stability. Provides front extension only on 800-mm cabinets. Constructed of steel finished in RAL 9005 textured black polyester powder paint. The base fastens to the underside of the frame and provides integral mounting of furnished casters. The front and rear top surfaces of the base are trimmed with black rubber mats 3-mm thick.

Casters and mounting hardware are furnished.

**Four non-locking casters provide a maximum load-bearing capacity of 1000 lb. (453.6 kg).**

Exercise care when using casters to move the cabinet. Avoid tipping and damage to the cabinet and its contents by slowly moving the cabinet on its casters across smooth, flat flooring. Avoid:

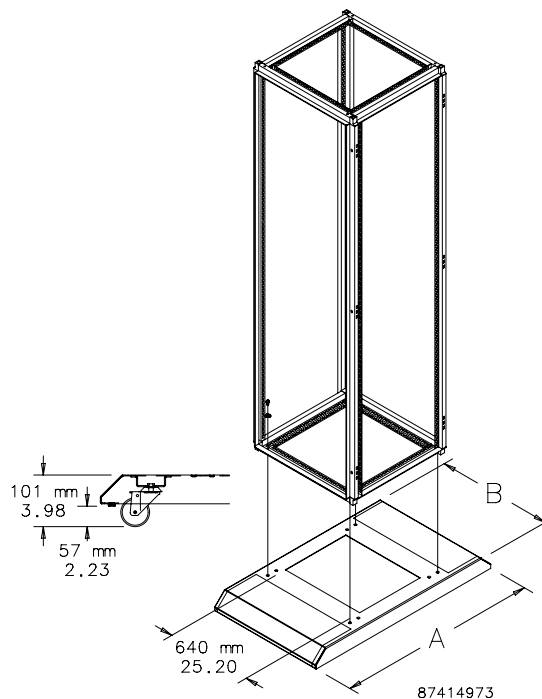
- large cracks
- floor displacement
- seams
- gravel
- any other obstruction

**Never use casters while transporting a cabinet by truck on roadways.**

Contact Hoffman if further information is needed.

BULLETIN: P20

| Catalog Number | AxB in.       | AxB mm     | Fits Frame B x C [mm]   |
|----------------|---------------|------------|-------------------------|
| PMB66          | 40.91 x 23.62 | 1039 x 600 | 600 x 500 and 600 x 600 |
| PMB69          | 52.72 x 23.62 | 1339 x 600 | 600 x 800 and 600 x 900 |
| PMB86          | 40.91 x 31.50 | 1039 x 800 | 800 x 500 and 800 x 600 |
| PMB89          | 52.72 x 31.50 | 1339 x 800 | 800 x 800 and 800 x 900 |



### MOBILE BASE LEVELING KIT



Levelers mount in the outer corners of the Mobile Base, providing load-bearing capacity of 1000 lb. (453.6 kg).

BULLETIN: P20

| Catalog Number | Description              | Use with    |
|----------------|--------------------------|-------------|
| PMBLM12        | Mobile Base Leveling Kit | Mobile Base |



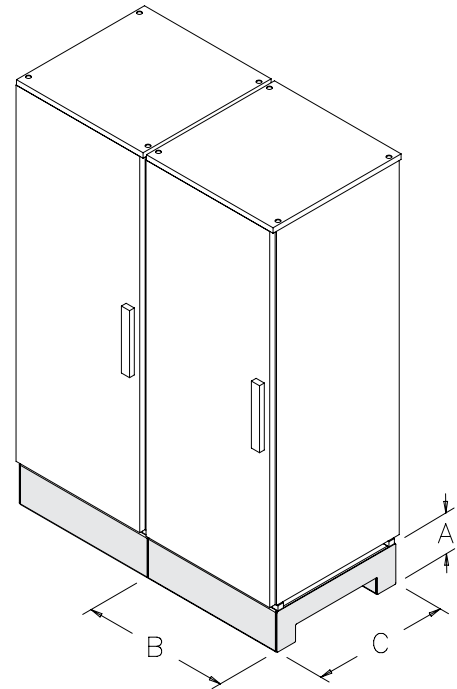
### PROLINE™ TRANSPORTATION BASE



PROLINE™ Transportation Bases provide safe transportation for PROLINE frames, from a single bay up to a maximum of 3000 mm (118.11 in.) in a multiple-bay system. Transportation bases can be configured in a variety of combinations. Constructed from 10 gauge steel and finished with RAL 9005 textured black polyester powder paint. Unique design allows ROL-A-LIFT® lifting access from each end. A removable gland plate allows wire access between bases. ROL-A-LIFT is a trademark of Skarnes Inc.

**BULLETIN: P20**

| Catalog Number | AxBxC in.            | AxBxC mm         |
|----------------|----------------------|------------------|
| PTB166         | 6.57 x 23.62 x 23.62 | 167 x 600 x 600  |
| PTB168         | 6.57 x 23.62 x 31.50 | 167 x 600 x 800  |
| PTB186         | 6.57 x 31.50 x 23.62 | 167 x 800 x 600  |
| PTB1106        | 6.57 x 39.37 x 23.62 | 167 x 1000 x 600 |
| PTB1126        | 6.57 x 47.24 x 23.62 | 167 x 1200 x 600 |



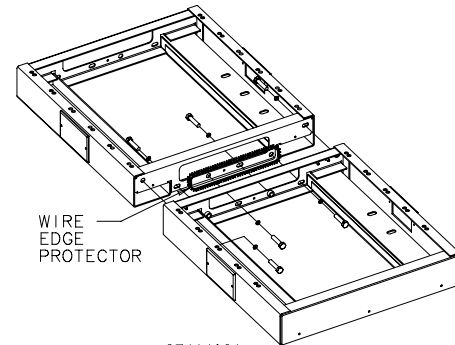
87784410

### TRANSPORTATION BASE JOINING, SIDE-TO-SIDE

Interconnects transportation bases. No provision for environmental seal. Grommet, applied to edge of wire feed, is furnished. Kit consists of six M10 bolts and washers.

**BULLETIN: P20**

| Catalog Number | Description                               |
|----------------|---|
| PTJT           | Transportation Base Joining, Side-to-Side |



87414921

**CASTER KIT**



A set of four casters (two locking, two non-locking) that mount directly to the bottom of a PROLINE™ frame, 0-mm, or 100-mm Solid Base or a Console. **(Do not use on plinth bases.)** Casters elevate the enclosure 110 mm (4.33 in.) when installed. Caster frames are plated steel with ball-bearing pivots. Caster wheels are made of a black polyamide material. Kit includes M12 mounting hardware. Order separately.

**Casters Maximum Load: 1000 lb. (453 kg)**

Exercise care when using casters to move the cabinet. Avoid tipping and damage to the cabinet and its contents by slowly moving the cabinet on its casters across smooth, flat flooring. Avoid:

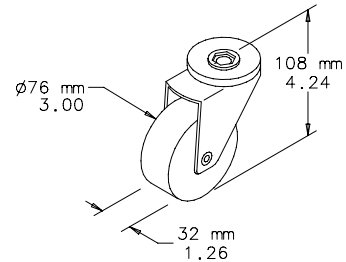
- large cracks
- floor displacement
- seams
- gravel
- any other obstruction

**Never use casters while transporting a cabinet by truck on roadways.**

Contact Hoffman if further information is needed.

**BULLETIN: P20**

| Catalog Number | Description      |
|----------------|------------------|
| PC1M12         | Set of 4 Casters |



87798501