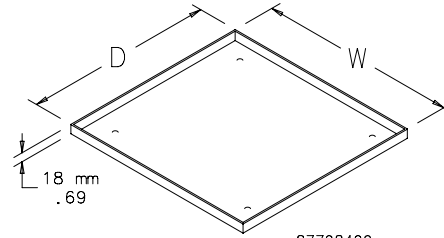


0-MM SOLID BASE


The 0-mm bases are finished with RAL 7035 textured light-gray polyester powder paint (except stainless steel). EMC bases are finished with paint over plated surfaces. Bases are made of 16-gauge steel.

BULLETIN: P20, P20EM, P20S



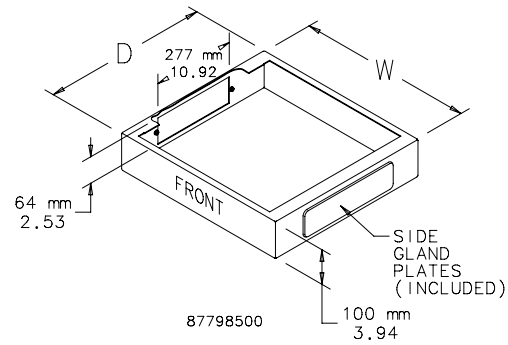
Catalog Number	Fits Frame B x C	W (mm)	W (in.)	D (mm)	D (in.)
PB045	400 x 500	353	13.90	453	17.83
PB046	400 x 600	353	13.90	592	23.31
PB064	600 x 400	592	23.31	353	13.90
PB064HF2	600 x 400	592	23.31	353	13.90
PB065HF2	600 x 500	592	23.31	453	17.83
PB066	600 x 600	592	23.31	553	21.77
PB066HF2	600 x 600	592	23.31	553	21.77
PB066SS	600 x 600	592	23.31	553	21.77
PB068	600 x 800	592	23.31	753	29.65
PB068HF2	600 x 800	592	23.31	753	29.65
PB068SS	600 x 800	592	23.31	753	29.65
PB076	700 x 600	692	27.24	553	21.77
PB076HF2	700 x 600	692	27.24	553	21.77
PB078	700 x 800	692	27.24	753	29.65
PB078HF2	700 x 800	692	27.24	753	29.65
PB079	700 x 900	692	27.24	853	33.58
PB079HF2	700 x 900	692	27.24	853	33.58
PB084	800 x 400	792	31.18	353	13.90
PB084HF2	800 x 400	792	31.18	353	13.90
PB085	800 x 500	792	31.18	453	17.83
PB085HF2	800 x 500	792	31.18	453	17.83
PB086	800 x 600	792	31.18	553	21.77
PB086HF2	800 x 600	792	31.18	553	21.77
PB086SS	800 x 600	792	31.18	553	21.77
PB088	800 x 800	792	31.18	753	29.65
PB088HF2	800 x 800	792	31.18	753	29.65
PB088SS	800 x 800	792	31.18	753	29.65
PB089HF2	800 x 900	792	31.18	853	33.58
PB0105	1000 x 500	992	39.06	453	17.83
PB0105HF2	1000 x 500	992	39.06	453	17.83
PB0106	1000 x 600	992	39.06	553	21.77
PB0106HF2	1000 x 600	992	39.06	553	21.77
PB0106SS	1000 x 600	992	39.06	553	21.77
PB0108	1000 x 800	992	39.06	753	29.65
PB0108SS	1000 x 800	992	39.06	753	29.65
PB0124	1200 x 400	1192	46.93	353	13.90
PB0125	1200 x 500	1192	46.93	453	17.83
PB0126	1200 x 600	1192	46.93	553	21.77
PB0126SS	1200 x 600	1192	46.93	553	21.77
PB0128	1200 x 800	1192	46.93	753	29.65
PB0165	1600 x 500	1592	62.68	453	17.83
PB0166	1600 x 600	1592	62.68	553	21.77
PB0168	1600 x 800	1592	62.68	753	29.65

100-MM SOLID BASE



The 100-mm base is finished with RAL 9005 textured black polyester powder paint (except stainless steel). EMC bases are finished with paint over plated surfaces. Side gland plates and drill points for locating optional casters are included.

BULLETIN: P20, P20EM, P20S



Catalog Number	Fits Frame B x C	Gauge	W (mm)	W (in.)	D (mm)	D (in.)
PB145	400 x 500	16	353	13.90	453	17.83
PB146	400 x 600	16	353	13.90	592	23.31
PB164	600 x 400	16	599	23.58	359	14.13
PB165	600 x 500	16	599	23.58	459	18.07
PB165HF	600 x 500	16	599	23.58	459	18.07
PB166	600 x 600	16	599	23.58	559	22.01
PB166SS	600 x 600	16	599	23.58	559	22.01
PB168	600 x 800	16	599	23.58	759	29.88
PB168HF	600 x 800	16	599	23.58	759	29.88
PB168SS	600 x 800	16	599	23.58	759	29.88
PB176	700 x 600	16	699	27.52	559	22.01
PB178	700 x 800	16	699	27.52	759	29.88
PB179HF	700 x 900	14	699	27.52	859	33.82
PB184	800 x 400	16	799	31.46	359	14.13
PB184HF	800 x 400	16	799	31.46	359	14.13
PB185	800 x 500	16	799	31.46	459	18.07
PB185HF	800 x 500	16	799	31.46	459	18.07
PB186	800 x 600	16	799	31.46	559	22.01
PB188	800 x 800	14	799	31.46	759	29.88
PB189	800 x 900	14	799	31.46	859	33.82
PB1105	1000 x 500	16	999	39.33	459	18.07
PB1105HF	1000 x 500	16	999	39.33	459	18.07
PB1106	1000 x 600	16	999	39.33	559	22.01
PB1106SS	1000 x 600	16	999	39.33	559	22.01
PB1108	1000 x 800	14	999	39.33	759	29.88
PB1108HF	1000 x 800	14	999	39.33	759	29.88
PB1108SS	1000 x 800	14	999	39.33	759	29.88
PB1124	1200 x 400	16	1199	47.20	359	14.13
PB1125	1200 x 500	16	1199	47.20	459	18.07
PB1126	1200 x 600	16	1199	47.20	559	22.01
PB1126SS	1200 x 600	16	1199	47.20	559	22.01
PB1128	1200 x 800	14	1199	47.20	759	29.88
PB1128SS	1200 x 800	14	1199	47.20	759	29.88
PB1165	1600 x 500	16	1599	62.95	459	18.07
PB1166	1600 x 600	16	1599	62.95	559	22.01
PB1168	1600 x 800	14	1599	62.95	759	29.88

PROLINE™ FRAME FLOOR-MOUNTING BRACKET

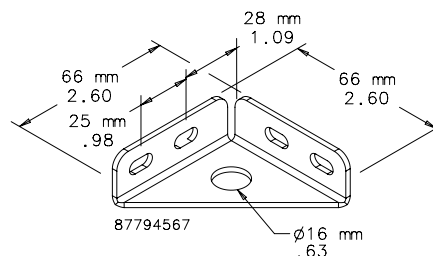


Provides a structural method of bolting a PROLINE™ frame to the floor. Fits all frame sizes. Made of 12 gauge steel with plated finish. Kit includes four brackets and mounting hardware.

Not for use on colocation frames, which include welded-in floor mounting brackets.

BULLETIN: DPY

Catalog Number	Description
PFBK	PROLINE Frame Floor-Mounting Bracket

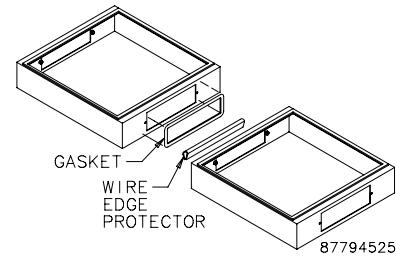


100-MM SOLID BASE JOINING, SIDE-TO-SIDE

Joining provides a seal between the gland plate openings on adjacent 100-mm solid base and is used in combination with either of the Side-to-Side Frame Joining Kits. A nylon wire edge protector (see drawing) prevents wear and abrasion of wires and cables.

BULLETIN: P20, P20EM

Catalog Number	Description
PJ2FB	Solid Base Joining, 100-mm Solid Bases, side-to-side
PJ2FBHF2	EMC Solid Base Joining, 100-mm Solid Bases, side-to-side



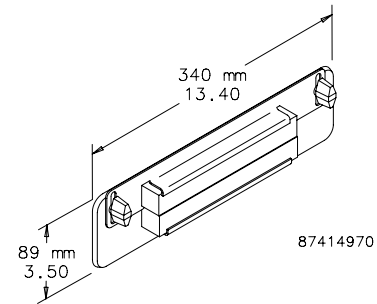
CABLE ENTRY GLAND PLATE **A-T-O**



Fits all standard PROLINE™ 100-mm Solid Base gland openings. Solid Base gland openings. Can be used in place of standard solid gland plates furnished with 100-mm Solid Base. Adjustable opening for cable entry is foam-lined to maintain a dust-tight seal. Cable Entry Plate is 14 gauge steel and finished with RAL 9005 textured black polyester powder paint.

BULLETIN: P20

Catalog Number	Description
PCEGP	



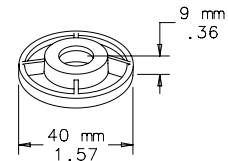
FRAME FEET **A-T-O**



Four die-cast feet for use on the bottom of PROLINE™ frames that raise the frame 9 mm.

BULLETIN: P20

Catalog Number	Description
PFFM12	Frame Feet



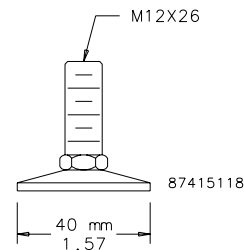
LEVELERS **A-T-O**



Four post-type levelers allow adjustment for uneven floors. Levelers can be attached to the bottom of a frame or to a 0-mm solid base. Levelers are plated and the leveler base is capped with plastic to provide resistance to marring. Adjustable for 17-mm to 35-mm height. Ball and socket construction. Four levelers will support a maximum of 453.6 kg (1000 lb.).

BULLETIN: P20

Catalog Number	Description
PLM12	Post-type Levelers

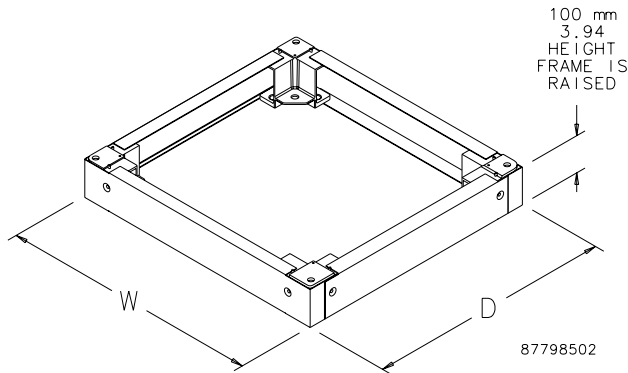


100-MM PLINTH BASE **A-T-O**



Plinth Bases install under an enclosure to provide space for cables to enter from below. A Plinth Base consists of four corner supports connected to four access panels. The corner supports are cast aluminum. The access panels are 16 gauge steel and attach to the corner supports with screws. Plinth Bases are finished with RAL 9005 black textured polyester powder paint and include all necessary mounting hardware. *Order a gland plate system to provide Type 12 protection when using a Plinth Base.*

BULLETIN: P20



Catalog Number	Fits Frame B x C	W mm/in.	D mm/in.
PPB145	400 x 500	399 15.71	459 18.07
PPB146	400 x 600	399 15.71	559 22.01
PPB164	600 x 400	599 23.58	359 14.13
PPB165	600 x 500	599 23.58	459 18.07
PPB166	600 x 600	599 23.58	559 22.01
PPB168	600 x 800	599 23.58	759 29.88
PPB176	700 x 600	699 27.52	559 22.01
PPB178	700 x 800	699 27.52	759 29.88
PPB179	700 x 900	699 27.52	859 33.82
PPB184	800 x 400	799 31.46	359 14.13
PPB185	800 x 500	799 31.46	459 18.07
PPB186	800 x 600	799 31.46	559 22.01
PPB188	800 x 800	799 31.46	759 29.88
PPB189	800 x 900	799 31.46	859 33.82
PPB1105	1000 x 500	999 39.33	459 18.07
PPB1106	1000 x 600	999 39.33	559 22.01
PPB1108	1000 x 800	999 39.33	759 29.88
PPB1124	1200 x 400	1199 47.20	359 14.13
PPB1125	1200 x 500	1199 47.20	459 18.07
PPB1126	1200 x 600	1199 47.20	559 22.01
PPB1128	1200 x 800	1199 47.20	759 29.88
PPB1165	1600 x 500	1599 62.95	459 18.07
PPB1166	1600 x 600	1599 62.95	559 22.01
PPB1168	1600 x 800	1599 62.95	759 29.88

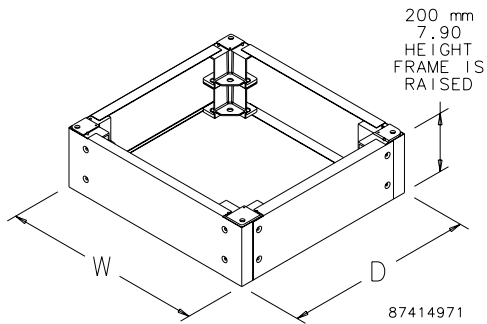
200-MM PLINTH BASE


Plinth Bases install under an enclosure to provide space for cables to enter from below. A Plinth Base consists of eight corner supports connected to four access panels.

The corner supports are cast aluminum. The access panels are 16 gauge steel and attach to the corner supports with screws. Plinth Bases have are finished with RAL 9005 black textured polyester powder paint and include all necessary mounting hardware.

Order a gland plate system to provide Type 12 protection when using a plinth base.

BULLETIN: P20

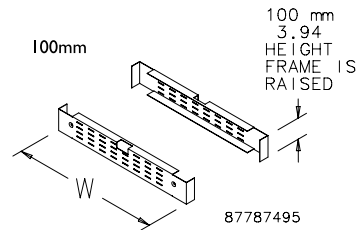


Catalog Number	Fits Frame B x C	W mm/in.	D mm/in.
PPB245	400 x 500	399 15.71	459 18.07
PPB266	600 x 600	599 23.58	559 22.01
PPB268	600 x 800	599 23.58	759 29.88
PPB276	700 x 600	699 27.52	559 22.01
PPB284	800 x 400	799 31.46	359 14.13
PPB285	800 x 500	799 31.46	459 18.07
PPB286	800 x 600	799 31.46	559 22.01
PPB288	800 x 800	799 31.46	759 29.88
PPB289	800 x 900	799 31.46	859 33.82
PPB2105	1000 x 500	999 39.33	459 18.07
PPB2106	1000 x 600	999 39.33	559 22.01
PPB2108	1000 x 800	999 39.33	759 29.88
PPB2124	1200 x 400	1199 47.20	359 14.13
PPB2125	1200 x 500	1199 47.20	459 18.07
PPB2126	1200 x 600	1199 47.20	559 22.01
PPB2128	1200 x 800	1199 47.20	759 29.88
PPB2165	1600 x 500	1599 62.95	459 18.07
PPB2166	1600 x 600	1599 62.95	559 22.01
PPB2168	1600 x 800	1599 62.95	759 29.88

VENTED PLINTH BASE COVERS



Vented Plinth Base Covers



Vented Plinth Base Covers install in the front and rear openings of a standard plinth base in place of Solid Covers. Vented covers allow air to circulate into the enclosure. Vented Plinth Base Covers are available in 100-mm and 200-mm heights. These covers are finished with RAL 9005 black polyester powder paint and include all necessary mounting hardware.

A standard plinth base must be ordered in combination with Vented Plinth Base covers to form a Vented Plinth Base. If using a gland plate with the Vented Plinth Base, order a vented gland plate to provide air circulation through the bottom of the enclosure.

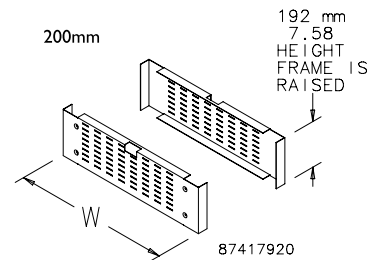
BULLETIN: P20

100-mm Vented Plinth Base Covers

Catalog Number	Fits Frame Type	Fits Frame (B dimension)	W mm/in.
PPBCV1600	Single-Bay	600	599 23.58
PPBCV1700	Single-Bay	700	699 27.52
PPBCV1800	Single-Bay	800	799 31.46
PPBCV11000	Single-Bay	1000	999 39.33
PPBCV11200	Double-Bay	1200	1199 47.20
PPBCV11600	Double-Bay	1600	1599 62.95

200-mm Vented Plinth Base Covers

Catalog Number	Fits Frame Type	Fits Frame (B dimension)	W mm/in.
PPBCV2600	Single-Bay	600	599 23.58
PPBCV2700	Single-Bay	700	699 27.52
PPBCV2800	Single-Bay	800	799 31.46
PPBCV21000	Single-Bay	1000	999 39.33
PPBCV21600	Double-Bay	1600	1599 62.95



PLINTH BASE STACKING KIT



Plinth bases are stackable with a maximum recommendation of 400-mm high. Kit consists of eight bolts and nuts and eight each of two types of washers used to join plinth bases.

BULLETIN: P20

Catalog Number	Description
PPBSK	Plinth Base Stacking Kit

REPLACEMENT FILTER KIT FOR FILTERED GLAND PLATE

Kit includes 12 disposable two-ply polyester replacement filters for filtered gland plates. Two filters are required for double-bay frames.

BULLETIN: P20

Catalog Number	Filter Size mm/in.	Fits Frame B x C
PFK4012	406 x 127 16.00 x 5.00	600 x 400
PFK6020	609 x 203 24.00 x 8.00	800 x 500, 800 x 600, 800 x 800, 800 x 900, 1600 x 500, 1600 x 600, 1600 x 800
PFK8120	813 x 203 32.00 x 8.00	1000 x 500, 1000 x 600, 1000 x 800

GLAND PLATES **A-T-O**


Adjustable Gland Plates are used to seal the bottom of the PROLINE™ frame. Solid, vented and shielded Gland Plates are available. Solid and filtered gland plates include covers that are gasketed to maintain Type 12 enclosure requirements. Gland plates are 16 gauge steel and are finished with RAL 7035 textured light-gray polyester powder paint. EMC Gland Plates are finished with paint over plated surfaces. All installation hardware is included.

Solid Gland Plate and EMC Gland Plate are accessories to 100-mm Solid Base, 100-mm/200-mm Plinth Base, Mobile Base and Transportation Base. These gland plates can be used without a base if casters, levelers or frame feet are installed. EMC Gland Plate maintains a Type 1 rating.

Solid Gland Plate

The Solid Gland Plate can be used with all PROLINE subpanels or rack angles. The gland plate consists of a base mounting surface and two adjustable foam-gasketed plates that permit cable entry. The plate can be rotated 180 degrees for front or rear cable entry.

Filtered (Vented) Gland Plate

Filtered Gland Plate is used only in conjunction with Vented Plinth Base Covers. The plate can be used with all PROLINE subpanels or rack angles. It consists of a mounting base, three adjustable plates for cable entry, a filter and filter retaining rails. Manufactured from 16 gauge steel and finished with RAL 7035 textured light-gray polyester powder paint. Replacement filters available.

EMC Gland Plate

This gland plate can be used with subpanels or rack angles. Gland plate consists of a base mounting surface and two adjustable gland plates (both have a conductive coating) with conductive fabric-over-foam gasket for cable entry.

BULLETIN: P20

Gland Plates for Single-Bay Frames

Catalog Number	Type	Fits Frame Size, Width	Fits Frame Size, Depth
PGP64	Solid	600	400
PGP64AHF	EMC	600	400
PGPV64	Filtered	600	400
PGP65	Solid	600	500
PGP65AHF	EMC	600	500
PGPV65	Filtered	600	500
PGP66	Solid	600	600
PGP66AHF	EMC	600	600
PGPV66	Filtered	600	600
PGP68	Solid	600	800
PGP68AHF	EMC	600	800
PGPV68	Filtered	600	800
PGPV76	Filtered	700	600
PGP78	Solid	700	800
PGP78AHF	EMC	700	800
PGPV78	Filtered	700	800
PGP79	Solid	700	900
PGP79AHF	EMC	700	900
PGP84	Solid	800	400
PGP85	Solid	800	500
PGPV85	Filtered	800	500
PGP86	Solid	800	600
PGPV86	Filtered	800	600
PGP88	Solid	800	800
PGP88AHF	EMC	800	800
PGPV88	Filtered	800	800
PGP89	Solid	800	900
PGP89AHF	EMC	800	900
PGPV89	Filtered	800	900
PGP105	Solid	1000	500
PGP105AHF	EMC	1000	500
PGP106	Solid	1000	600
PGPV106	Filtered	1000	600
PGP108	Solid	1000	800
PGP108AHF	EMC	1000	800
PGPV108	Filtered	1000	800

Gland Plates for Double-Bay Frames

Catalog Number	Type	Fits Frame Size, Width	Fits Frame Size, Depth
PGP124	Solid	1200	400
PGP125	Solid	1200	500
PGPV125	Filtered	1200	500
PGP126	Solid	1200	600
PGPV126	Filtered	1200	600
PGP128	Solid	1200	800
PGPV128	Filtered	1200	800
PGP165	Solid	1600	500
PGPV165	Filtered	1600	500
PGP166	Solid	1600	600
PGPV166	Filtered	1600	600
PGP168	Solid	1600	800
PGP186	Solid	1800	600

MOBILE BASE



Mobile Bases fit 600- and 800-mm wide frames. They extend beyond the front and rear of 600-mm cabinets to provide enhanced stability. Provides front extension only on 800-mm cabinets. Constructed of steel finished in RAL 9005 textured black polyester powder paint. The base fastens to the underside of the frame and provides integral mounting of furnished casters. The front and rear top surfaces of the base are trimmed with black rubber mats 3-mm thick.

Casters and mounting hardware are furnished. **Four non-locking casters provide a maximum load-bearing capacity of 1000 lb. (453.6 kg).**

Exercise care when using casters to move the cabinet. Avoid tipping and damage to the cabinet and its contents by slowly moving the cabinet on its casters across smooth, flat flooring. Avoid:

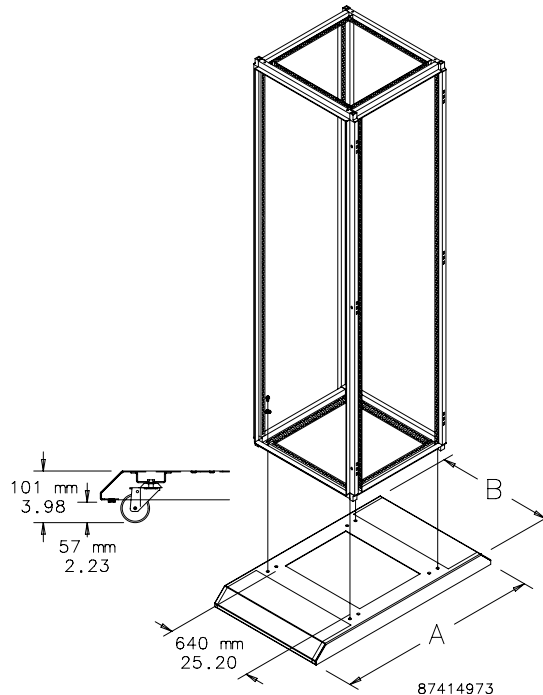
- large cracks
- floor displacement
- seams
- gravel
- any other obstruction

Never use casters while transporting a cabinet by truck on roadways.

Contact Hoffman if further information is needed.

BULLETIN: P20

Catalog Number	AxB in.	AxB mm	Fits Frame B x C [mm]
PMB66	40.91 x 23.62	1039 x 600	600 x 500 and 600 x 600
PMB69	52.72 x 23.62	1339 x 600	600 x 800 and 600 x 900
PMB86	40.91 x 31.50	1039 x 800	800 x 500 and 800 x 600
PMB89	52.72 x 31.50	1339 x 800	800 x 800 and 800 x 900



MOBILE BASE LEVELING KIT



Levelers mount in the outer corners of the Mobile Base, providing load-bearing capacity of 1000 lb. (453.6 kg).

BULLETIN: P20

Catalog Number	Description	Use with
PMBLM12	Mobile Base Leveling Kit	Mobile Base

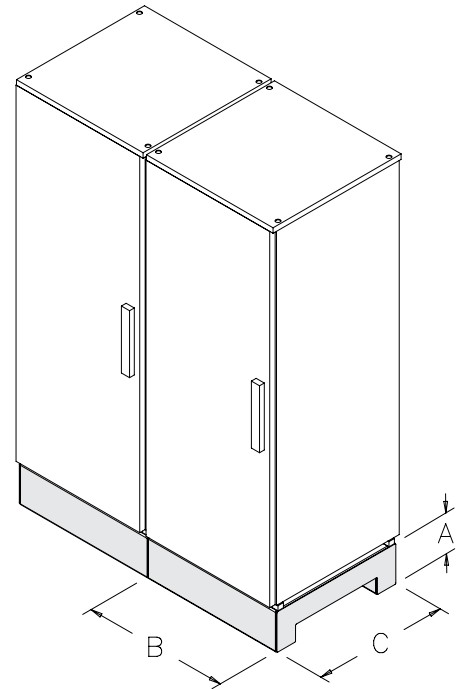
PROLINE™ TRANSPORTATION BASE



PROLINE™ Transportation Bases provide safe transportation for PROLINE frames, from a single bay up to a maximum of 3000 mm (118.11 in.) in a multiple-bay system. Transportation bases can be configured in a variety of combinations. Constructed from 10 gauge steel and finished with RAL 9005 textured black polyester powder paint. Unique design allows ROL-A-LIFT® lifting access from each end. A removable gland plate allows wire access between bases. ROL-A-LIFT is a trademark of Skarnes Inc.

BULLETIN: P20

Catalog Number	AxBxC in.	AxBxC mm
PTB166	6.57 x 23.62 x 23.62	167 x 600 x 600
PTB168	6.57 x 23.62 x 31.50	167 x 600 x 800
PTB186	6.57 x 31.50 x 23.62	167 x 800 x 600
PTB1106	6.57 x 39.37 x 23.62	167 x 1000 x 600
PTB1126	6.57 x 47.24 x 23.62	167 x 1200 x 600



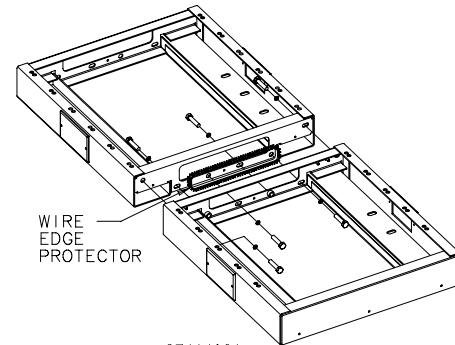
87784410

TRANSPORTATION BASE JOINING, SIDE-TO-SIDE

Interconnects transportation bases. No provision for environmental seal. Grommet, applied to edge of wire feed, is furnished. Kit consists of six M10 bolts and washers.

BULLETIN: P20

Catalog Number	Description
PTJT	Transportation Base Joining, Side-to-Side



87414921

CASTER KIT



A set of four casters (two locking, two non-locking) that mount directly to the bottom of a PROLINE™ frame, 0-mm, or 100-mm Solid Base or a Console. **(Do not use on plinth bases.)** Casters elevate the enclosure 110 mm (4.33 in.) when installed. Caster frames are plated steel with ball-bearing pivots. Caster wheels are made of a black polyamide material. Kit includes M12 mounting hardware. Order separately.

Casters Maximum Load: 1000 lb. (453 kg)

Exercise care when using casters to move the cabinet. Avoid tipping and damage to the cabinet and its contents by slowly moving the cabinet on its casters across smooth, flat flooring. Avoid:

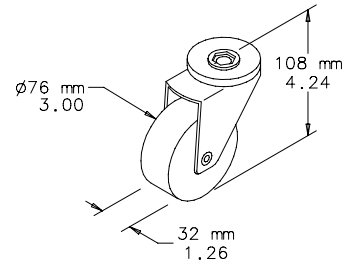
- large cracks
- floor displacement
- seams
- gravel
- any other obstruction

Never use casters while transporting a cabinet by truck on roadways.

Contact Hoffman if further information is needed.

BULLETIN: P20

Catalog Number	Description
PC1M12	Set of 4 Casters



87798501